

FOR "OFFICE USE" ONLY

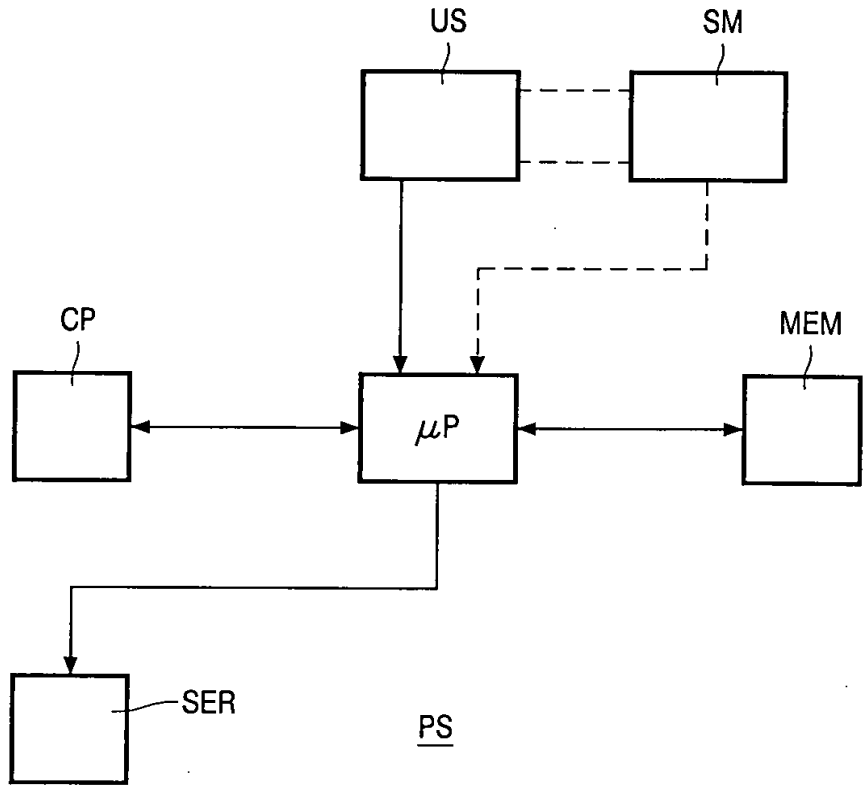


FIG. 1

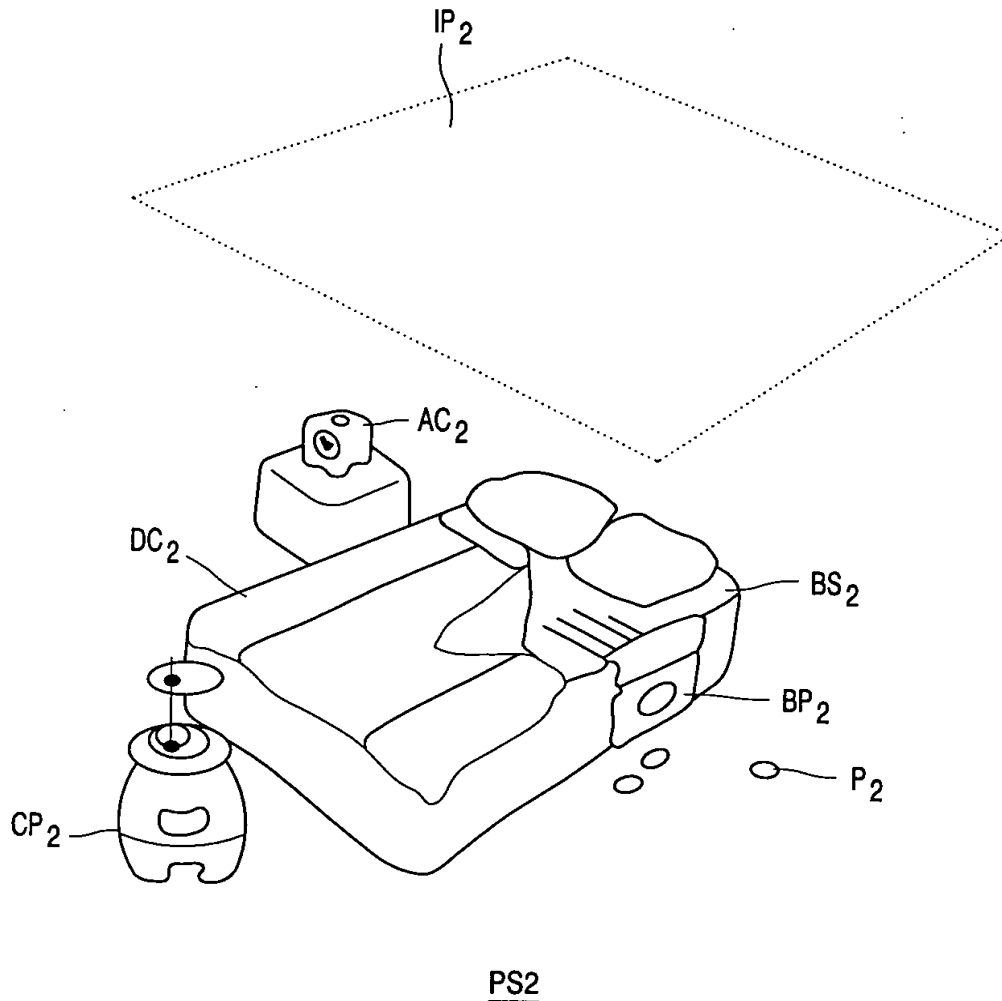


FIG. 2

FOR "OFFSHOOT"